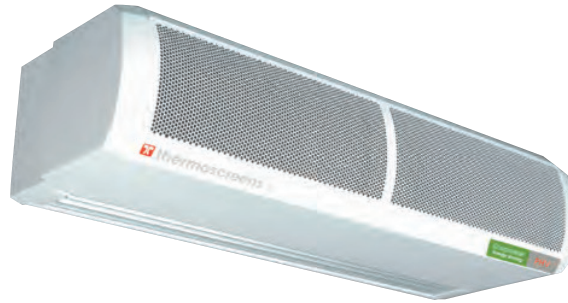
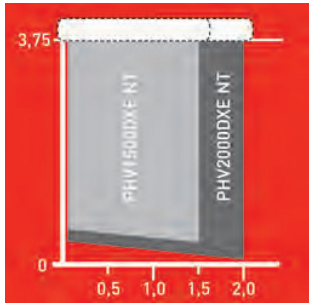


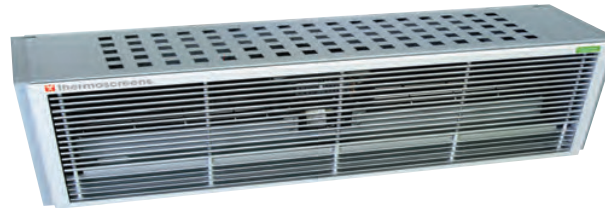
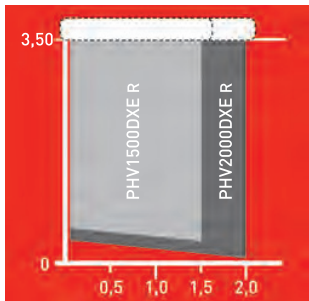
TECHNICAL SPECIFICATION - MR. SLIM RANGE



Mr. Slim PHV DXE Heat Pump Range - Surface Mounted

Model	Dimensions (mm) (l X d X h)	Electrical Supply (50Hz)**	Max Output (kW) ⁺	Loading (A) *per phase	Max. Velocity (m/s)	Max. Air Volume (m ³ /h)	Weight (kg)	Max. dB(A) @3m	Max. Mounting Height (m)
PHV1000 DXE HO	1196 x 377 x 255	400V~3P+N+E	8.6	7.8 (1.3)	9.0	1400	39	56	3.75
PHV1500 DXE LO	1746 x 377 x 255	400V~3P+N+E	10.1	12.7 (1.8)	9.0	2500	59	58	3.75
PHV1500 DXE HO	1746 x 377 x 255	400V~3P+N+E	14.4	12.7 (1.8)	9.0	2600	60	58	3.75
PHV2000 DXE LO	2296 x 377 x 255	400V~3P+N+E	14.1	15.7 (2.7)	9.5	3300	78	59	3.75
PHV2000 DXE HO	2296 x 377 x 255	400V~3P+N+E	21.3	15.7 (2.7)	9.0	3130	80	59	3.75

For use with a Mitsubishi Electric R410A Mr. Slim outdoor unit *DX Max. Output at 7/6°C outdoor condition, 20°C indoor temp. * (Amps) if defrost electric heaters are disabled during commissioning. ** electrical supply could then be 230V~1P+N+E. Cooling available on request.



Mr. Slim PHV DXE Heat Pump Range - Recessed

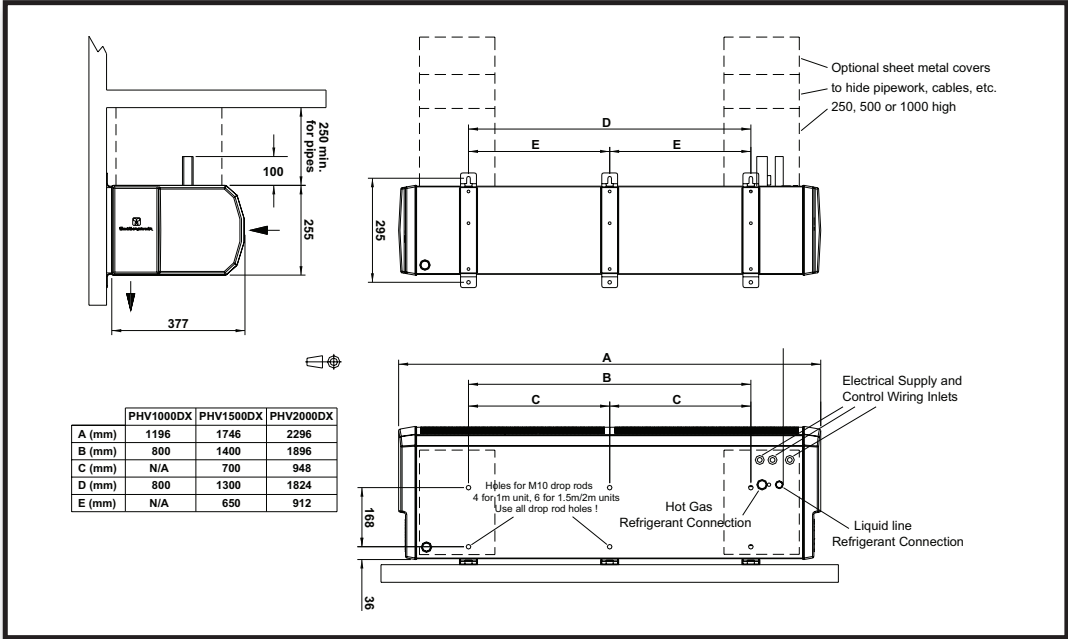
Model	Dimensions (mm) (l X d X h)	Electrical Supply (50Hz)**	Max Output (kW) ⁺	Loading (A) *per phase	Max. Velocity (m/s)	Max. Air Volume (m ³ /h)	Weight (kg)	Max. dB(A) @3m	Max. Mounting Height (m)
PHV1000R DXE HO	1150 x 436 x 296	400V~3P+N+E	8.6	7.8 (1.3)	9.0	1400	45	56	3.50
PHV1500R DXE LO	1650 x 436 x 296	400V~3P+N+E	10.1	12.7 (1.8)	9.0	2500	66	58	3.50
PHV1500R DXE HO	1650 x 436 x 296	400V~3P+N+E	14.4	12.7 (1.8)	9.0	2600	67	58	3.50
PHV2000R DXE LO	2240 x 436 x 296	400V~3P+N+E	14.1	15.7 (2.7)	9.5	3300	85	59	3.50
PHV2000R DXE HO	2240 x 436 x 296	400V~3P+N+E	21.3	15.7 (2.7)	9.0	3130	88	59	3.50

For use with a Mitsubishi Electric R410A Mr. Slim outdoor unit *DX Max. Output at 7/6°C outdoor condition, 20°C indoor temp. * (Amps) if defrost electric heaters are disabled during commissioning. ** electrical supply could then be 230V~1P+N+E. Cooling available on request.

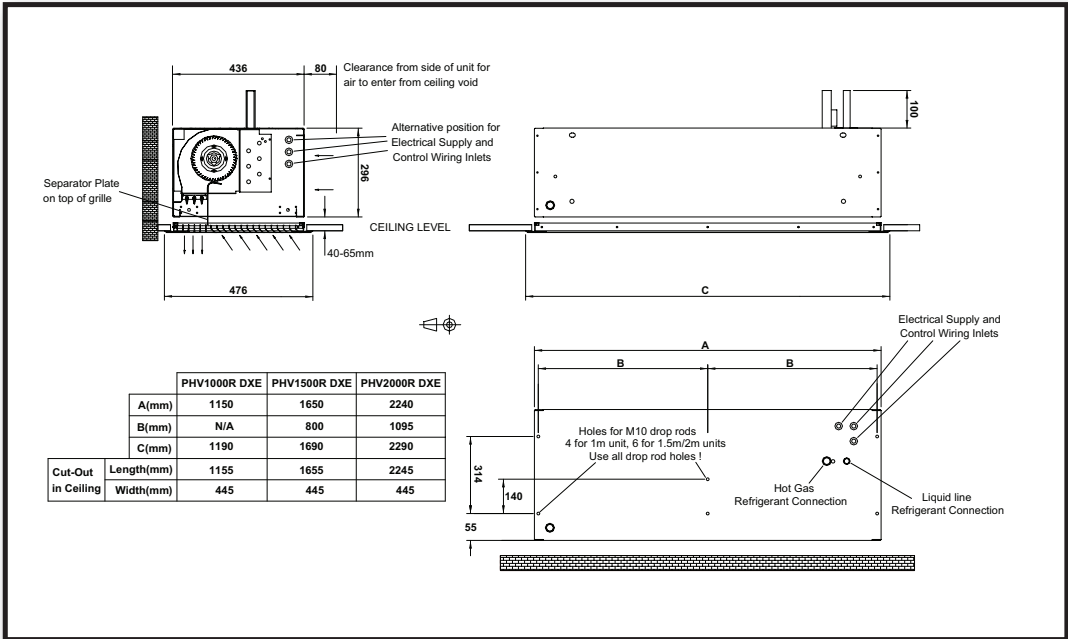


GA DRAWINGS MR. SLIM RANGE

Mr. Slim PHV Surface Mounted



Mr. Slim PHV Recessed Range



OUTDOOR UNIT SELECTION

The Mitsubishi Electric Outdoor unit is selected to match its refrigerant heat output to the size of the Air Curtain. See tables below for size of the outdoor units to be used with technical data for the Air Curtain.

Mr. Slim Surface Mounted and Recessed Units

Air Curtain	Mr Slim Outdoor Unit	Discharge Line (Gas)	Liquid Line	Maximum Pipe Run	
				Length (m)	Height (m)
PHV1000 DXE HO	PUHZ-RP71VHA4	5/8 in.	3/8 in.	50	30
PHV1500 DXE LO	PUHZ-RP71VHA4	5/8 in.	3/8 in.	50	30
PHV1500 DXE HO	PUHZ-RP140VKA/YKA	5/8 in.	3/8 in.	50	30
PHV2000 DXE LO	PUHZ-RP100VKA/YKA	5/8 in.	3/8 in.	50	30
PHV2000 DXE HO	PUHZ-RP200YKA	1 1/8 in.	3/8 in.	100	30

Indoor Air Temperature = 20°C

Performance figures derived from independent testing by UK test houses BRE and BSRIA in accordance with test standard EN 14511. The air curtain normally operates under automatic temperature control and can also run at part load.

City Multi Surface Mounted and Recessed Units

Air Curtain	City Multi Outdoor Unit	PAC AH MG Controller	LEV(s) No. Off	Discharge Line (Gas)	Liquid Line	Index Size
VRF PHV1500 DXE LO	PUMY/PUHY/PURY/PQHY/PQRY	PAC-AH125 M-G	Type P632411X01 1 off	5/8 in.	3/8 in.	p125
VRF PHV1500 DXE HO	PUMY/PUHY/PURY/PQHY/PQRY	PAC-AH140M-G	Type P632414X01 1 off	5/8 in.	3/8 in.	p140
VRF PHV2000 DXE LO	PUMY/PUHY/PURY/PQHY/PQRY	PAC-AH140M-G	Type P632414X01 1 off	5/8 in.	3/8 in.	p140
VRF PHV2000 DXE HO	PUHY/PURY/PQHY/PQRY	PAC-AH250M-G	Type P632411X01 2 off	3/4 in.	3/8 in.	p200

Maximum heat pump output refers to the heating or cooling output from the air curtain air stream. Figures are derived from laboratory testing with reference to test standard EN14511. They are with the air curtain operating at high fan speed, outdoor air temperature 7/6°C db/wb indoor air temperature 20°C db for heating; outdoor air temperature 35/27°C db/wb indoor air temperature 27°C db for cooling. Contact Mitsubishi Electric for performance at other outdoor and indoor conditions. The air curtain normally operates under automatic temperature control set on the PAR-21MAA remote controller and can run at part load.



ACCESSORIES

Standard Equipment Supplied With All Units

All heat pump air curtains are supplied with the following:

- Wall Brackets and Fixing Bolts
- End Caps
- Dirty Filter Indicator

Thermoscreens Dirty filter indicator.

Air curtains are fitted with a dirty filter indicator. It is located at the left-hand end of the outlet grille and signals when the air curtain inlet grille/filters should be vacuum cleaned or the air curtain requires servicing.



Controllers

Mr. Slim Air Curtains



Mr. Slim air curtain is provided with the above manual controller. BMS control can also be used.

City Multi Air Curtains



Mitsubishi PAR-21 MAA Remote controller is used for manual control



Remote 3 speed fan controller



The Mitsubishi H PAC - AH MG controller is provided with the unit.

Optional Extras



Sheet Metal Covers to hide services



Fan Speed Controller for low speeds